

# Installation Guide

## Rear differential - Front OE mount - insert

### Suits: Falcon BF / Territory SY - with resin shell

(Always refer to the current catalogue for complete application listings)

**N.B:** This installation guide should be used in conjunction with the workshop manual

1. Raise the vehicle on 2 post hoist or raise rear of vehicle and place on chassis stands. Remove the rear wheels.
2. **Falcon:** From inside the vehicle remove the rear lower seat base and disconnect the left hand and right hand side rear ABS wheel speed sensor connections and pass the connectors through the floor.

#### Territory:

Disconnect the left hand and right hand side rear ABS wheel speed sensor connections at the front of the rear lower trailing arm.

3. From under the vehicle, remove the rear trailing arm front mount vertical retaining nuts.
4. Remove and support the rear disc brake callipers.
5. Remove hand brake cables from hub backing plates or alternatively a the under floor adjuster plate above the prop shaft.
6. Using a suitable marking pen, mark the location of the rear subframe to chassis and the position of the tail shaft to differential yoke for correct timing at re-installation.

#### NOTE: Location of rear subframe to chassis is critical:

The left hand differential outrigger retaining bolt and the rear of the fuel tank can make contact if the cross member is not refitted into the correct position.

7. Support the rear subframe and remove all retaining nuts and bolts.

**Note: please be aware of the single centre-retaining bolt mounted to the right hand side of the rear differential rear mount on some models.**

8. Lower the subframe.

#### NOTE: Section A – installation of Enhancement kit = single kit

##### Section A – instruction single enhancement kit

- 1a. Remove the rear OE retaining bolt, OE washer and shield (if fitted).
- 2a. Install supplied 67052 bush into the front of the OE front differential mount using a small amount of the grease supplied.
- 3a. Grease the contact face of the small OD supplied washer and hold next to the insert.
- 4a. Reinstall the OE retaining bolt, washer and shield (if fitted).  
Repeat steps 1A - 4A for opposite side front mount.

#### NOTE: Section B – installation of Performance kit = single kit x 2

##### Section B – instruction Performance kit = single kit x 2

- 1b. Remove the front OE retaining bolts, OE washers and shields (if fitted).
- 2b. Remove the front outrigger inner retaining bolts, left and right hand side.
- 3b. Install supplied 67052 bush into the rear of the OE front differential mount using a small amount of the grease supplied.
- 4b. Grease and install washer into position and refit outrigger and retaining bolts.
- 5b. Install supplied 67052 bush into the front of the OE front differential mount using a small amount of the grease supplied.
- 6b. Grease the contact face of the small OD supplied washer and hold next to the insert.
- 7b. Reinstall the OE retaining bolt, OE washer and shield (if fitted).  
Repeat steps 1B-6B for opposite side front mount.

**NOTE: Tension all removed bolts and hardware to manufacturers specifications prior to refitting rear cross member as most of the components cannot be accessed with the cross member re-installed into the vehicle.**

#### Subframe Re-installation:

Repeat steps 1-8 in reverse.

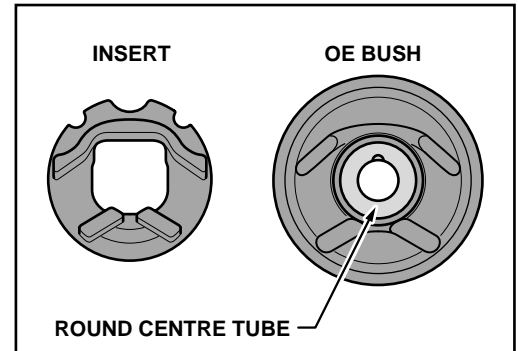
Tension all removed bolts and hardware to manufacturers specifications.

#### NOTE: Location of rear subframe to chassis is critical:

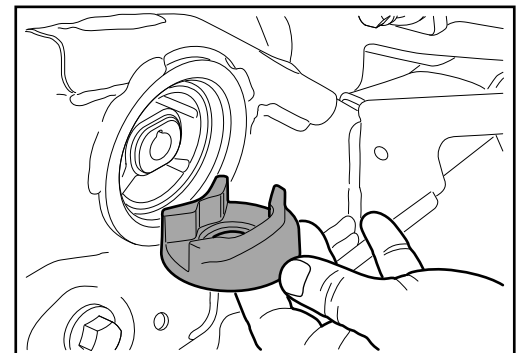
The left hand differential outrigger retaining bolt and the rear of the fuel tank can make contact if the cross member is not refitted into the correct position.

#### NOTE: Timing of tail shaft to yoke is critical:

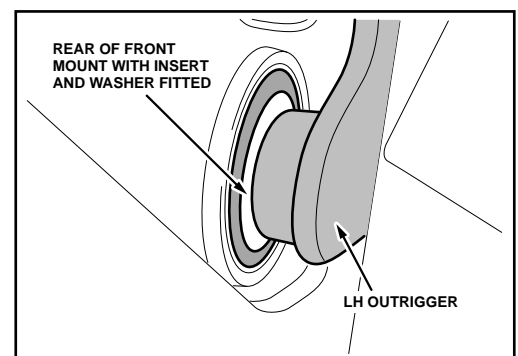
Please refer to previous markings made in step 6 during re-installation.



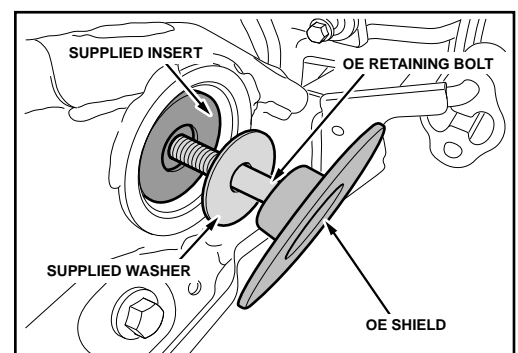
#### SINGLE KIT INSTALLATION



#### PERFORMANCE KIT INSTALLATION



#### SINGLE KIT INSTALLATION



**N.B:** It is recommended that a licenced workshop or trades person carry out the above procedure and that workshop manual and relevant safety procedures are followed in addition to the above.