

## KSB504 - Commodore VT-VX Strut Brace.

### Fitting Instructions.

This kit is designed to brace the front strut towers on all Commodore VT and VX including LS1 V8 Auto and Manual. When fitted, the strut brace is designed to minimise unwanted upper strut tower flex under cornering loads.

Please read the instructions before beginning work. Fitting of this kit will require the struts assembly to be lowered, therefore, it is recommended that a licensed workshop or tradesperson carry out the following procedures.

1. Open kit and identify components. The kit should contain:

- 1 x alloy strut brace and end plate assembly.
- 6 x M10 short bolts and nuts.

2. Remove yellow end plates from alloy bracing rod for fitment.

3. Remove strut top locating washers. (Large washer with rubber lip.) Fit end plates to strut towers as per drawing and use one of the bolts supplied to locate the end plate in the existing hole. Refit locating washer, centralise end plate and mark drilling position for remaining holes 2 holes (2 per side).

4. Remove locating washer and end plates. Raise front of vehicle until wheels just clear the ground so that the struts drop below strut towers. Support vehicle with appropriate stands before continuing.

Drill 10mm diameter clearance (10.5-11.00mm) holes as shown in Fig 2. using the end plate as the template.

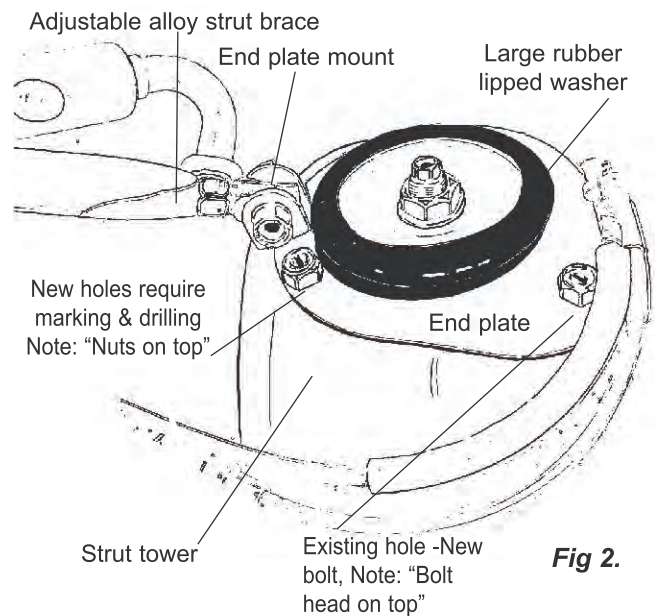
5. Refit end plates and loosely bolt to strut towers using hardware supplied. Note: Use the bolt head on top for existing hole & the nut on top for others. Adjust alloy strut brace length and fit to

end plates as per drawing. Tighten end plate to strut tower mount bolts.

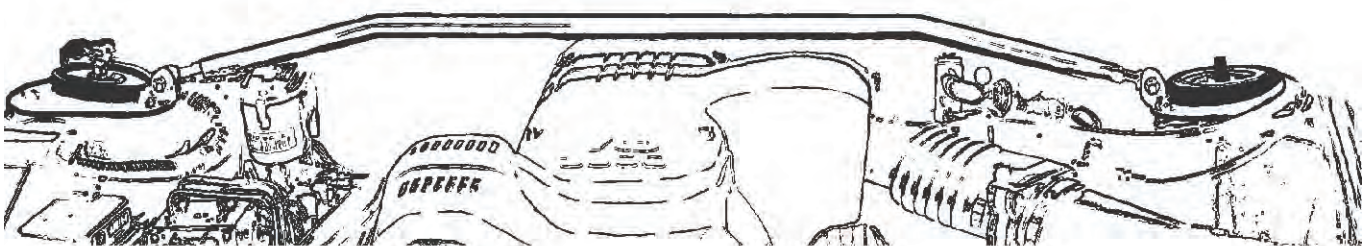
6. Carefully lower the vehicle ensuring that strut tops correctly re-seat in correct position. Refit locating washer and strut top nut. Check alloy strut rod alignment and tighten end fittings to lock in place.

Ensure that you accustom yourself to the improved handling and response.

We recommend that all fittings are checked and retightened after 500kms.



**Fig 2.**



**Fig. 1** View from front of vehicle looking at engine/inner guards- strut tower location for end plates.