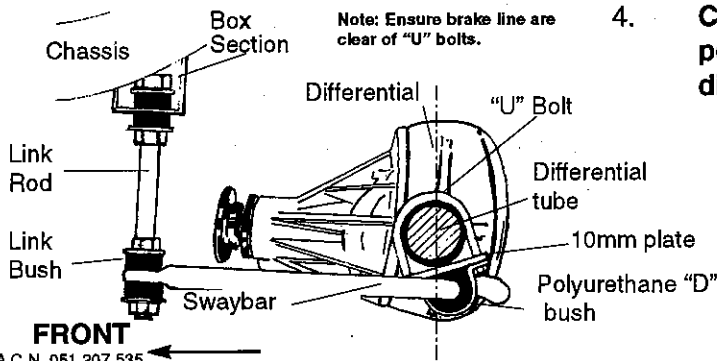


General Fitting Instructions

Selbys

SWAYBARS by WHITELINE

1. Position bar and mounting brackets under axle housing so that bar ends point forward to the front of vehicle.
2. Fit "U" bolts over axle housing, (make sure they are placed **under** the brake lines), 10mm plate is fitted directly **under** housing for "U" bolts to go through. Position the urethane bush between the 10mm plate and saddle. Ensure rear of bar clears differential, back plate and petrol tank.
3. Assemble links to box section (use large hole) and swaybar as shown in diagram. Lift link up to chassis crossmember, ensure that the links are vertical when viewed from front and side and note that the "U" bolt assembly is to be mounted back from centre line of differential. Also ensure swaybar is centrally located between trailing arms. Mark position for bolts to crossmember, swing bar out of way, drill 10mm hole. Bolt assembly up.



4. **Caution: Do not tighten nuts to a point of where the link bushes are distorted.** (see illustration below)

